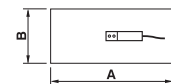


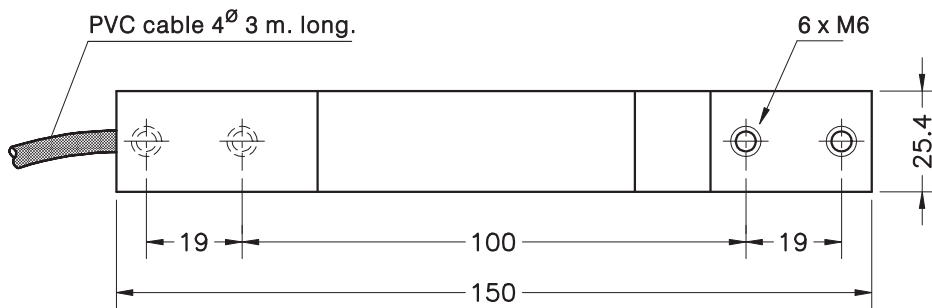
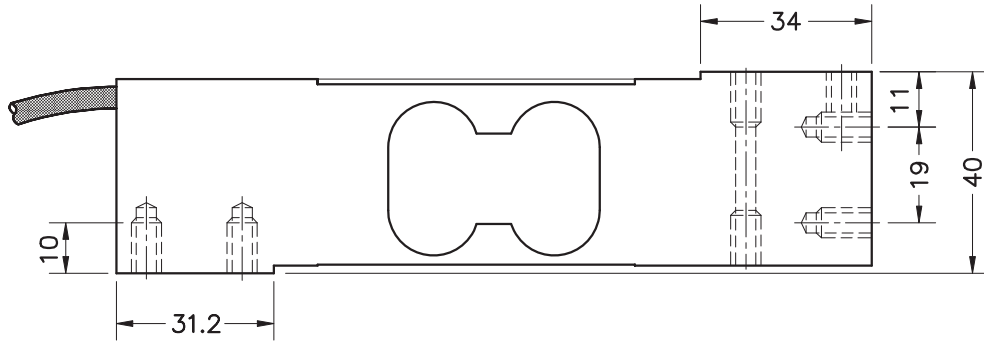
- Double bending beam load cell
- Measuring element from aluminium
- 3000 divisions OIML R60 class C
- Protected IP 66 (EN 60529)
- Single point load cell. High accuracy with off-center loads
- Applications:
  - Direct platform up to 400 x 400 mm
  - Filling scales

- 双弯曲梁式称重传感器
- 铝合金测量元件
- 3000分度, OIML R60 C级
- 防护等级 IP66 (EN 60529)
- 单点测量, 在偏心载荷情况下可保持高精度
- 应用:
  - 最大秤台尺寸400×400mm
  - 灌装秤

Model 型号	Nominal capacity 量程 Ln	Accuracy class 精确度等级 n. OIML	Minimum division 最小分度值 vmin	Service load 最大称量 150 % Ln	Platform 平台尺寸 A x B mm	Accuracy 准确度等级 1/3 Ln
140 3 kg	3 kg	3000	0.3 g	4.5 kg	400 x 400	3000 v
140 5 kg	5 kg	3000	0.5 g	7.5 kg	400 x 400	3000 v
140 8 kg	8 kg	3000	0.8 g	12 kg	400 x 400	3000 v
140 10 kg	10 kg	3000	1 g	15 kg	400 x 400	3000 v
140 15 kg	15 kg	3000	1.5 g	22.5 kg	400 x 400	3000 v
140 20 kg	20 kg	3000	2 g	30 kg	400 x 400	3000 v
140 30 kg	30 kg	3000	3 g	45 kg	400 x 400	3000 v
140 50 kg	50 kg	3000	5 g	75 kg	400 x 400	3000 v
140 75 kg	75 kg	3000	7.5 g	112.5 kg	400 x 400	3000 v
140 100 kg	100 kg	3000	10 g	150 kg	400 x 400	3000 v



# MODEL 140

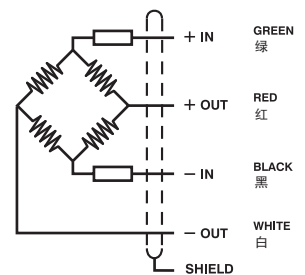


Dimensions in mm. 单位: mm

Transport weight - 重量: 0.45 kg

SPECIFICATIONS			技术条件
Nominal capacities (Ln)	3-5-8-10-15-20 30-50-75-100	kg	量程 (Ln)
Accuracy class	3000	n. OIML	准确度等级
Minimum dead load	0	%Ln	最小静载荷
Service load	150	%Ln (1)	最大称量
Safe load limit	200	%Ln (1)	安全载荷极限
Total error	< ±0.017	%Sn (2)	综合误差
Repeatability error	< ±0.01	%Sn	重复性误差
Temperature effect:			温度影响:
on zero	< ±0.01	%Sn/5°C	零点
on sensitivity	< ±0.006	%Sn/5°C	灵敏度
Creep error (30 minutes)	< ±0.016	%Sn	蠕变 (30分钟)
Temperature compensation	-10...+40	°C	温度补偿
Temperature limits	-20...+70	°C	温度极限
Nominal sensitivity (Sn)	2 ±10%	mV/V	灵敏度
Nominal input voltage	10	V	激励电压
Maximum input voltage	15	V	最大激励电压
Input impedance	400 ±20	Ω	输入阻抗
Output impedance	350 ±3	Ω	输出阻抗
No load output	< ±2	%Sn	空荷输出
Insulation resistance	> 5000	MΩ	绝缘电阻
Maximum deflection (at Ln)	0.3-0.5	mm	最大变形位移 (量程内)

## ELECTRICAL CONNECTION 电气连接:



(1) Only central loads on the load cell. Not for off-center loads  
置传感器于受力中心, 勿使偏载

(2) Total error: Non Linearity and Hysteresis / 综合误差: 非线性和滞后