
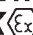
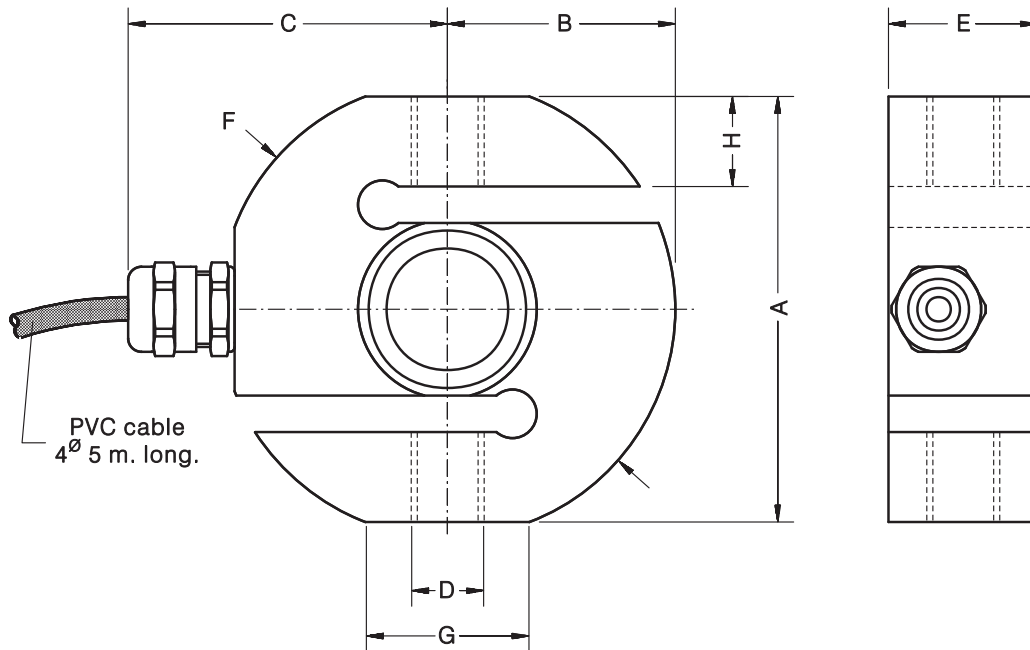


- Tension/compression load cell
- Stainless Steel construction
- Hermetically welded, protected IP 68 (EN 60529)
- 3000 divisions OIML R60 class C \*
- Available in **ATEX**  version (optional) Zone 0-1-2 (gas) and 20-21-22 (dust)
- Applications:
  - Suspended weighing in Tanks, Hoppers and Belt Conveyor Scales
  - Asphalt and Concrete Plants
  - Force measurement in Test Equipment
  - Conversion from mechanical to electronic scales
  - Crane scales

- 拉压式称重传感器
- 不锈钢结构
- 焊接密封, 保护等级IP68(EN 60529)
- 3000分度, OIML R60 C\*级
- 防爆可选 **ATEX** 
- 应用:
  - 悬挂料罐称量, 料斗和皮带秤
  - 沥青工厂和水泥工厂
  - 测力机的力测量
  - 机械秤改造
  - 吊秤

Model 型号	Nominal capacity 量程 Ln	Accuracy class 准确度等级 *n. OIML	Minimum division 最小分度值 vmin	Service load 最大称量 150 % Ln	Safe load 安全载荷极限 200 % Ln
650 250 kg	250 kg	2000	34 g	375 kg	500 kg
650 500 kg	500 kg	3000	50 g	750 kg	1000 kg
650 1000 kg	1000 kg	3000	100 g	1500 kg	2000 kg
650 2000 kg	2000 kg	3000	200 g	3000 kg	4000 kg
650 5000 kg	5000 kg	3000	500 g	7500 kg	10000 kg
650 7500 kg	7500 kg	3000	750 g	11250 kg	15000 kg

# MODEL 650

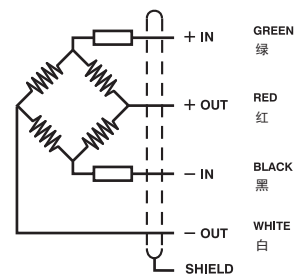


Nominal load 量程	A	B	C	D	E	F∅	G	H	Transport weight 重量
250-500 kg	70	37.5	50	M12x1.75	24.5	75	26.9	15	1 kg
1-2 t	95	50	60	M20x1.5	30	100	31.2	26	2 kg
5 t	120	62.5	72.5	M24x2	40	125	35	34	4 kg
7.5 t	120	62.5	72.5	M24x2	56	125	35	34	5.5 kg

Dimensions in mm. 单位: mm

SPECIFICATIONS			技术条件
Nominal capacities (Ln)	250-500-1000- 2000-5000- 7500	kg	量程 (Ln)
Accuracy class	3000	n. OIML (2)	准确度等级
Minimum dead load	0	%Ln	最小静载荷
Service load	150	%Ln	最大称量
Safe load limit	200	%Ln	安全载荷极限
Total error	< ±0.017	%Sn (1) (2)	综合误差
Repeatability error	< ±0.015	%Sn	重复性误差
Temperature effect: on zero	< ±0.01	%Sn/5°C	温度影响: 零点
on sensitivity	< ±0.006	%Sn/5°C	灵敏度
Creep error (30 minutes)	< ±0.016	%Sn (2)	蠕变 (30分钟)
Temperature compensation	-10...+55	°C	温度补偿
Temperature limits	-40...+95	°C	温度极限
Nominal sensitivity (Sn)	2 ±0.1%	mV/V	灵敏度
Nominal input voltage	10	V	激励电压
Maximum input voltage	15	V	最大激励电压
Input impedance	400 ±20	Ω	输入阻抗
Output impedance	350 ±3	Ω	输出阻抗
No load output	< ±2	%Sn	空荷输出
Insulation resistance	> 5000	MΩ	绝缘电阻
Maximum deflection (at Ln)	< 0.5	mm	最大变形位移 (量程内)

## ELECTRICAL CONNECTION 电气连接:

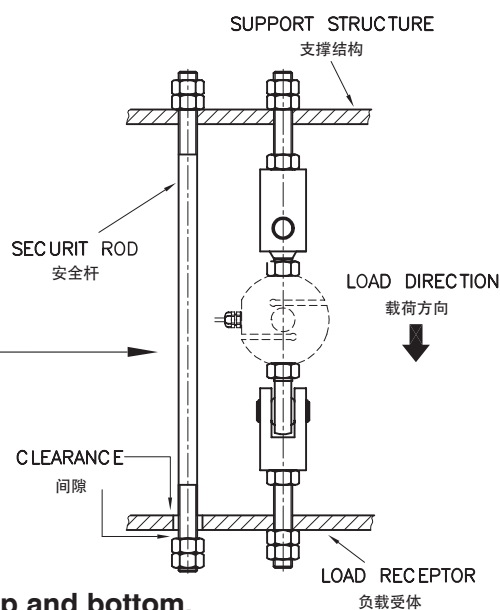
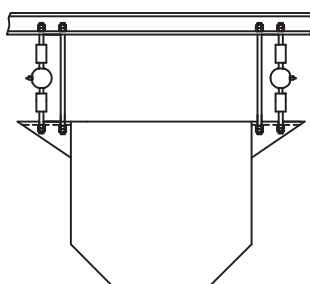
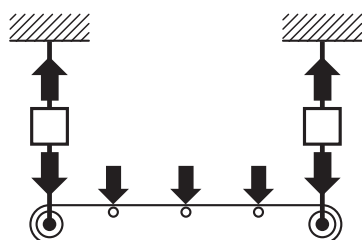
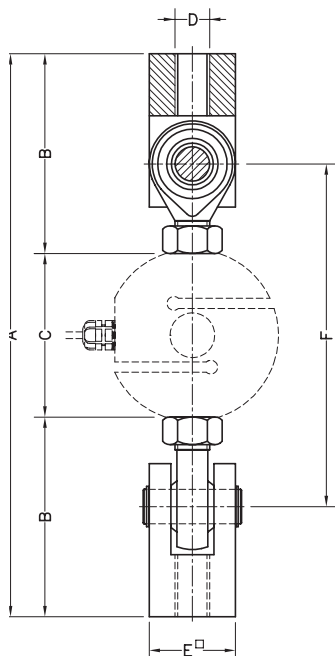


«OUTPUT SIGNS FOR TENSION APPLICATION»

(张力应用信号输出)

(1) Total error: Non Linearity and Hysteresis / 综合误差: 非线性误差和滞后误差

(2) Ln = 250 kg: 2000 n. OIML

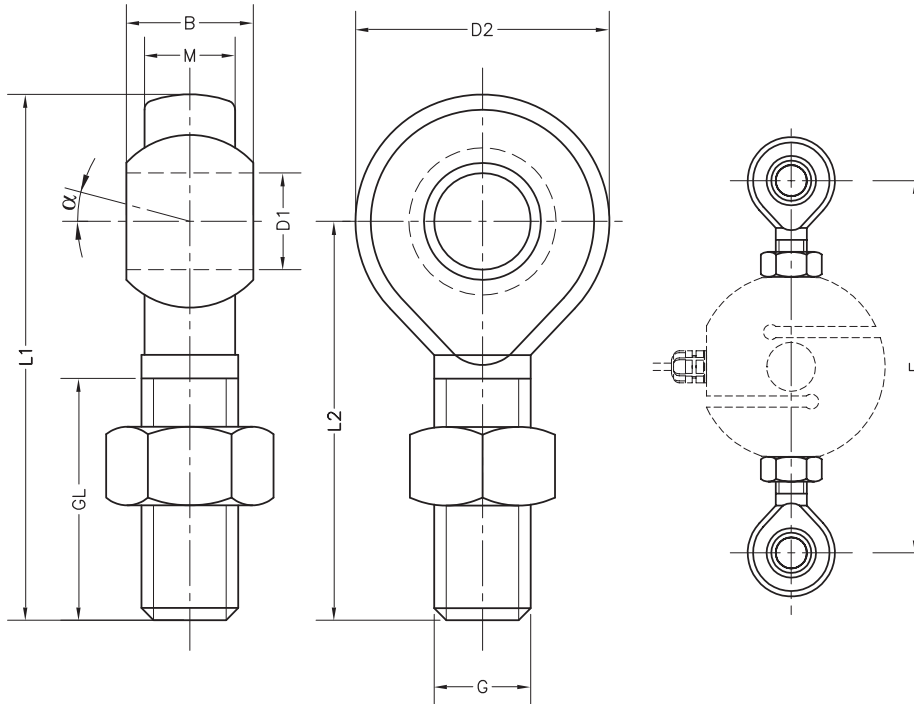
**TENSION ACCESSORIES FOR MODEL 650**
**MOD.650拉式安装附件**


■ Each accessory contains a set of the top and bottom.

■ 每套附件包含一套上下连接件。

Accessory 附件	Nominal load 量程	A	B	C	D	E <sup>□</sup>	F	Ultimate load 极限载荷	Transport weight 重量	Material 材质
<b>TE12x1.75</b>	250-500 kg	236	83	70	M12x1.75	35	148	2000 kg	1.4 kg	Steel zinc-plated 合金钢镀锌
<b>TE20x1.5</b>	1000-2000 kg	327	116	95	M20x2.5	50	199	5050 kg	4.5 kg	
<b>TE24x2</b>	5000-7500 kg	398	139	120	M24x3	60	246	8150 kg	7.8 kg	

Dimensions in mm. 单位: mm

**ROD ENDS FOR MODEL 650**
**MOD.650杆端关节轴承**


- **Material: Steel zinc-plated**
- **Each accessory RO includes a set of: 2 rod ends and 2 nuts**

- **材质: 合金钢镀锌**
- **每套RO附件包含2个杆端关节轴承和2个螺母**

RO Accessories Dimensions / RO附件尺寸												
Accessory 附件	Capacity/ 量程 (kg)	D2	B	M	D1	L1	L2	GL	G	$\alpha$	F	Trans. weight 重量
<b>RO12x1.75</b>	250-500	32	16	12	Ø12	70	54	33	M12x1.75	13°	148	0.2 kg
<b>RO20x1.5</b>	1000-2000	50	25	18	Ø20	103	78	47	M20x1.5	15°	199	0.8 kg
<b>RO24x2</b>	5000-7500	64	20	17	Ø25	126	94	53	M24x2	-	246	1.3 kg

Dimensions in mm. 单位: mm