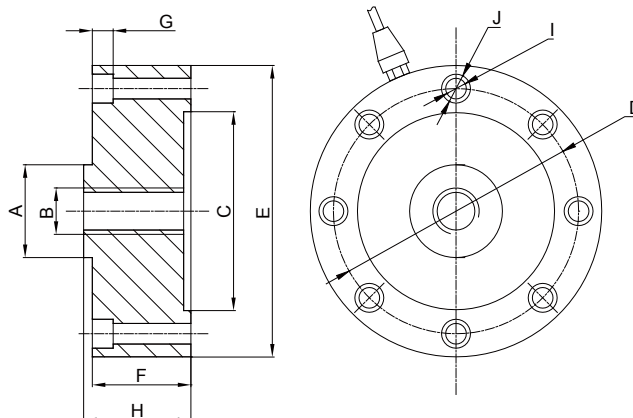


# D1210

## Pancake Load Cells



## Specifications

<b>Rated Output(mV/V):</b> 3.0±0.0075	<b>Zero Balance:</b> ±1%FS	<b>Safe Overload:</b> 150%	<b>Cable Length:</b> 6m/10m
<b>Nonlinearity:</b> ±0.03%FS	<b>Hysteresis:</b> ±0.03%FS	<b>Repeatability:</b> ±0.03%FS	<b>IP Class :</b> IP67
<b>Creep(30min.):</b> ±0.03%FS	<b>Input Resistance:</b> 775±20/387±20 ohms	<b>Output Resistance:</b> 700±5/350±5 ohms	<b>Cable Color Code:</b> Red..... +EXC Black..... - EXC Green..... +SIG White..... - SIG
<b>Insulation Resistance:</b> ≥5000M ohms	<b>Excitation Voltage:</b> 5~10V DC(15V MAX)	<b>Material:</b> Alloy Steel	
<b>Temperature:</b> Compensated Range -10℃~+40℃	<b>Temperature:</b> Operating Range -20℃~+70℃		
<b>Temp. Effect on Zero:</b> ≤0.002%FS/℃	<b>Temp. Effect on Output:</b> ≤0.002%FS/℃		

## Dimensions

RATED CAPACITY	A	B	C	D	E	F	G	H	I	J
<b>kg/mm</b>										
50~5000	Ø32	M16x1.5	Ø75	Ø89	Ø105	34	7.2	37	8xØ7.5	8xØ10.5
10000~20000	Ø39	M32x1.5	Ø83	Ø101.8	Ø120.6	41	10.5	53.5	8xØ8.5	8xØ14
30000	Ø50.4	M40x1.5	Ø96.9	Ø116.8	Ø141	50.8	11	57.2	8xØ11	8xØ18
<b>kN/mm</b>										
0.5~50	Ø32	M16x1.5	Ø75	Ø89	Ø105	34	7.2	37	8xØ7.5	8xØ10.5
100~200	Ø39	M32x1.5	Ø83	Ø101.8	Ø120.6	41	10.5	53.5	8xØ8.5	8xØ14
300	Ø50.4	M40x1.5	Ø96.9	Ø116.8	Ø141	50.8	11	57.2	8xØ11	8xØ18

## Order Information

LOAD RATING	
D1210-500N(50kg)	D1210-1kN(100kg)
D1210-2kN(200kg)	D1210-5kN(500kg)
D1210-10kN(1t)	D1210-20kN(2t)
D1210-30kN(3t)	D1210-50kN(5t)
D1210-100kN(10t)	D1210-20kN(20t)
D1210-300kN(30t)	

## Interchangeable Products

MANUFACTURER	MODEL
VISHAY Celtron	LCD/PSD
TRANSCCELL	DBSL