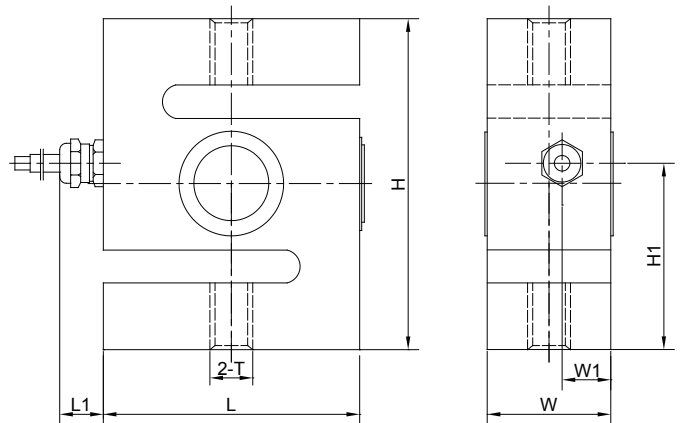


# STSH

## S-Beam Load Cells



## Specifications

**Rated Output(mV/V):**

2.0±0.002

**Nonlinearity:**

±0.017%FS

**Creep(30min.):**

±0.017%FS

**Insulation Resistance:**

≥5000M ohms

**Temperature:**

Compensated Range

-10°C~+40°C

**Temp. Effect on Zero:**

≤0.002%FS/°C

**Zero Balance:**

±1%FS

**Hysteresis:**

±0.017%FS

**Input Resistance:**

385±4 ohms

**Excitation Voltage:**

5~15V DC(20V MAX)

**Temperature:**

Operating Range

-40°C~+65°C

**Temp. Effect on Output:**

≤0.002%FS/°C

**Safe Overload:**

150%

**Repeatability:**

±0.01%FS

**Output Resistance:**

350±1 ohms

**Material:**

Stainless steel

**Cable Length:**

5m

**IP Class:**

IP68

**Cable Color Code:**

Green..... + EXC

Black..... - EXC

White..... + SIG

Red..... - SIG

Yellow..... + SEN

Blue..... - SEN

## Dimensions

RATED CAPACITY	L	H	W	T	W1	H1	L1
<b>kg/mm</b>							
200~300	62	80	30	M10x1	10	47.5	17
500	62	80	30	M12x1	10	47.5	17
1000	70	90	30	M12x1	10	52.5	17
2000	71	90	45	M16x1.5	17.5	50	17
3000	80	100	50	M18x1.5	19.5	58.5	17
5000	92	130	58	M20x2	23.5	72.5	17

## Order Information

LOAD RATING	
STSH-200kg	STSH-300kg
STSH-500kg	STSH-1t
STSH-2t	STSH-3t
STSH-5t	

## Interchangeable Products

MANUFACTURER	MODEL
METTLER TOLEDO	TSH