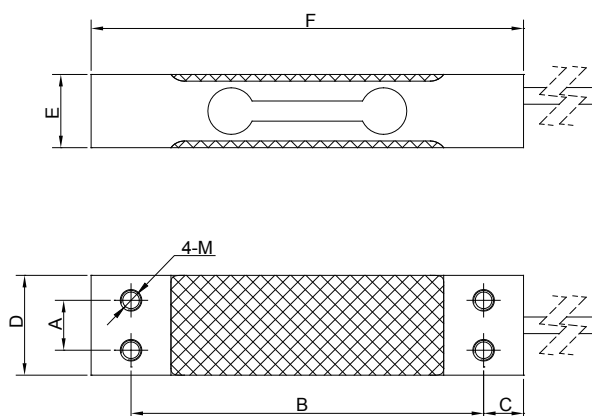


F1022

Single Point Load Cells



Specifications

Rated Output(mV/V):

2.0±0.2

Nonlinearity:

±0.02%FS

Creep(30min.):

±0.02%FS

Insulation Resistance:

≥5000M ohms

Temperature:

Compensated Range
-10°C~+40°C

Temp. Effect on Zero:

≤0.002%FS/°C

Zero Balance:

±1%FS

Hysteresis:

±0.02%FS

Input Resistance:

410±20 ohms

Excitation Voltage:

5~10V DC(15V MAX)

Temperature:

Operating Range
-20°C~+70°C

Temp. Effect on Output:

≤0.002%FS/°C

Safe Overload:

150%

Repeatability:

±0.02%FS

Output Resistance:

350±5 ohms

Material:

Aluminum

Cable Length:

2.75m

IP Class:

IP67

Cable Color Code:

Red..... + EXC
Black..... - EXC
Green..... + SIG
White..... - SIG

Dimensions

RATED CAPACITY	A	B	C	D	E	F	M
kg/mm							
3~50	15	106	12	30	22	130	M6
60	15	106	12	40	22	130	M6

Order Information

LOAD RATING	
F1022-3kg	F1022-6kg
F1022-10kg	F1022-12kg
F1022-15kg	F1022-20kg
F1022-25kg	F1022-30kg
F1022-35kg	F1022-45kg
F1022-50kg	F1022-60kg

Interchangeable Products

MANUFACTURER	MODEL
VISHAY Celtron	LPS
METTLER TOLEDO	MT1022
Minebea	C2G1-A
HBM	PW6K
Tedea-Huntleigh	1022