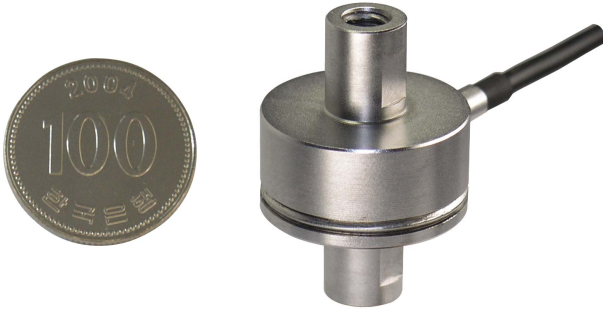


## Model CDFS Series

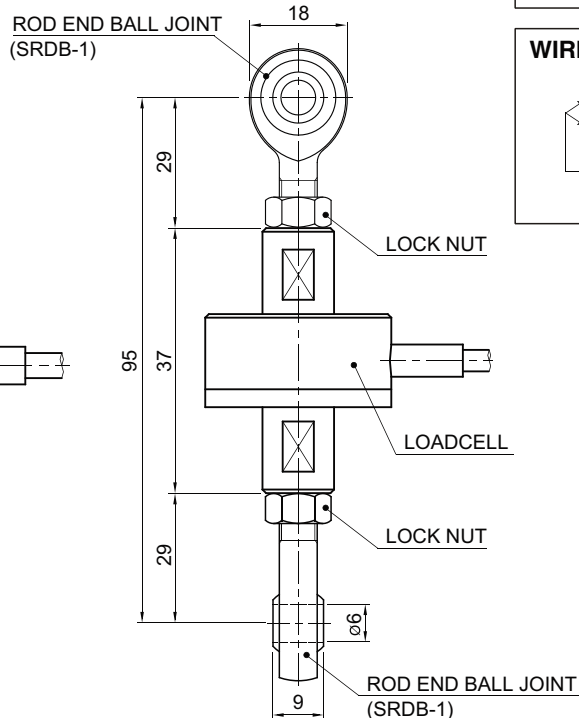
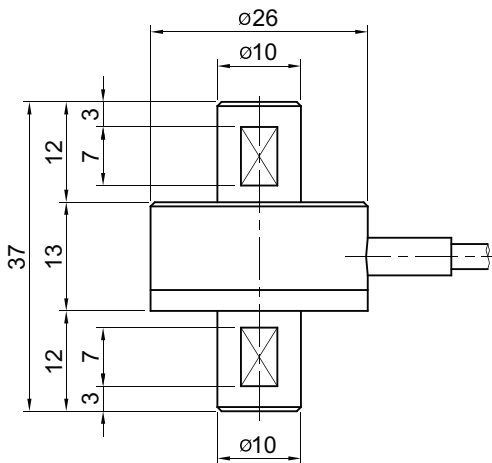
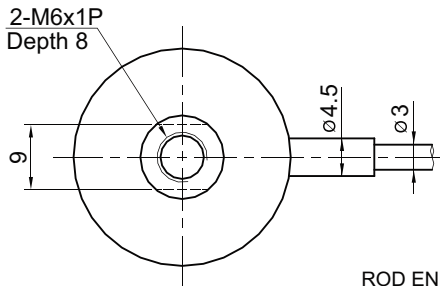
Tension & Compression  
Miniature Load Cell(10~200kg)

The model CDFS miniature type is designed for tension & compression service.



### SPECIFICATIONS

MODEL	CDFS
Rated capacity (R.C.)	10, 30, 50, 100, 200kg
Rated output(R.O.)	1.0mV/V ± 1.0%
Non-linearity	≤0.5% R.O.
Hysteresis	≤0.5% R.O.
Non-repeatability	≤0.2% R.O.
Creep error	≤0.1% in 20min.
Zero balance	≤1% R.O.
Compensated temperature range	-10 ~ 70°C
Operating temperature range	-20 ~ 80°C
Temp. effect on rated output	≤0.5% LOAD/10°C
Temp. effect on zero balance	≤0.5% R.O./10°C
Terminal input resistance	350 Ohms ± 5 Ohms
Terminal output resistance	350 Ohms ± 5 Ohms
Insulation resistance (Min.)	2000 MOhms at 50V DC
Excitation voltage	5V(Recommended), 10V(Max.)
Electrical connection	Ø3mmx1.5m(22AWG x 4Core Shielded)
Protection class	meets IP 65
Safe overload	150% R.C
Ultimate overload	300% R.C



### ORDERING INFORMATION

**CDFS - 10**

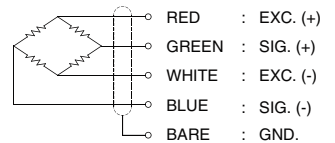
MODEL

CDFS

CAPACITY

10, 30, 50, 100, 200kg

### WIRING INFORMATION



\* Specifications are subject to change without notice

JAN, 2010