

# 世銓科技(天津)有限公司

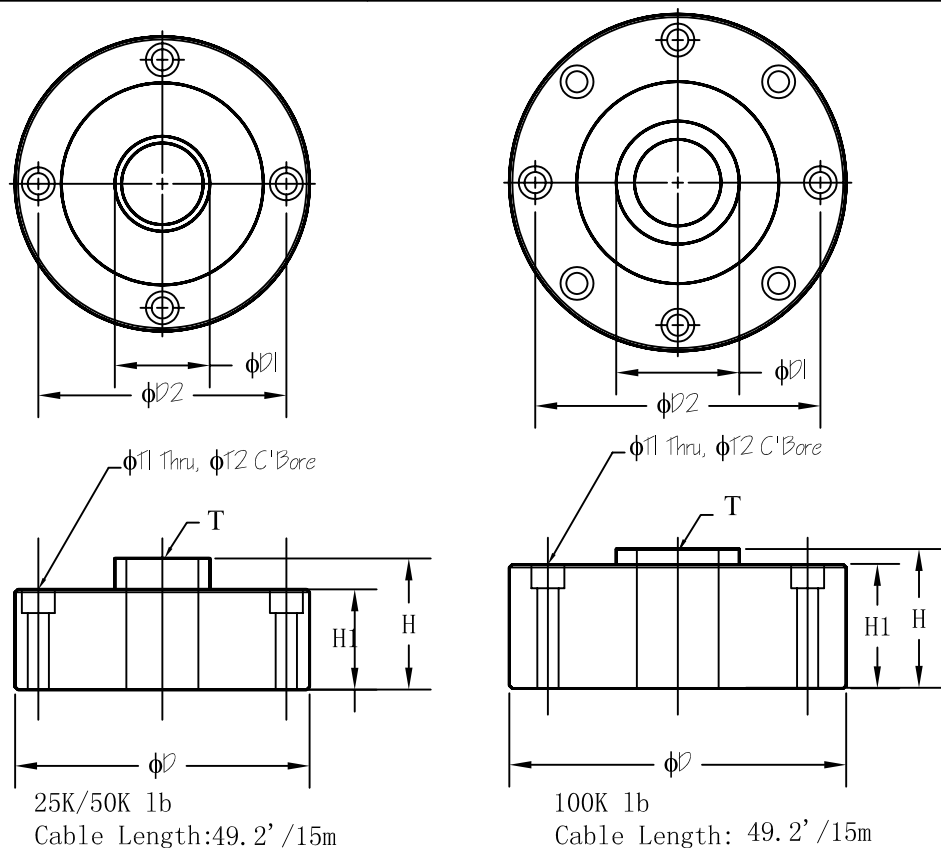
## 產品規格書

MODEL	LCD-TH, TT系列	編號	PS00054	版本	B	生效日期	
-------	--------------	----	---------	----	---	------	--

### SPECIFICATIONS:

Standard Capacity	25K, 50K, 100K 1b		
Recommended Excitation	10 V AC/DC	Compensated Temp. Range	-10°C to +40°C
Maximum Excitation	15 V AC/DC	Operating Temp. Range	-20°C to +60°C
Output at Rated Load	4 mV/V ±0.25 %	Zero Balance	±1%
Hysteresis Error	0.05%	Input Resistance	385±5 Ω *1
Non Linearity	0.05%	Output Resistance	350±3 Ω *2
Non Repeatability	0.02%	Insulation Resistance (50VDC)	>5000 MΩ
Creep (20 minutes)	0.03%	Deflection at Rated Load	<0.5 mm
Zero Return (20 minutes)	0.03%	Safe Overload	150%
Temp. Effect/10°C on Span	0.015%	Ultimate Overload	300%
Temp. Effect/10°C on Zero	0.026%	*2 : 700 ±5Ω for 100K 1b	
*1 : 770 ±10Ω for 100K 1b			

### OUTLINE:



### DIMENSIONS:

CAPACITY	DIMENSIONS								
		D	D1	D2	T	H	H1	T1	T2
25K/50K TH	(mm)	120.7	38.9	101.6	$\phi 32.0$	53.1	41.1	8.7	13.5 x 9.7DP
	(inch)	4.75	1.53	4.00	$\phi 1.26$	2.12	1.62	0.34	0.53 x 0.38DP
25K/50K TT	(mm)	120.7	38.9	101.6	M32*1.5	53.1	41.1	8.7	13.5 x 9.7DP
	(inch)	4.75	1.53	4.00	M32*1.5	2.12	1.62	0.34	0.53 x 0.38DP
100KTT	(mm)	138.0	50.4	116.8	M40*1.5	65.8	50.8	10.3	16.5 x 11.0DP
	(inch)	±0.4	±0.3	4.60	M40*1.5	2.59	2.00	0.41	0.65 x 0.43DP

CTC工程部: 莫云清  
日期:

核准: 陳啟元  
日期: 2001/05/18

審核: 陳啟元  
日期: 2001/05/18

制表: XGJ  
日期: 2001/06/5