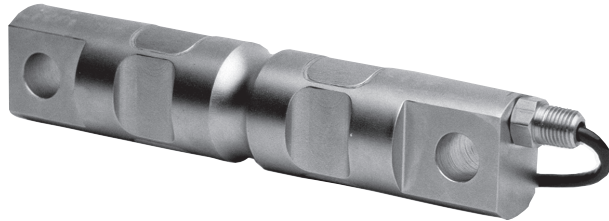


Double-Ended Shear Beam Load Cell



FEATURES

- Rated capacities of 5,000 to 100,000 pounds, 2.3 to 45 metric tons
- High quality alloy tool steel construction
- Nickel plated for outstanding corrosion resistance
- Replacement for RTI model 5103 (EZM1)
- Integral conduit adaptor
- *Sensorgage*™ sealed to IP67 standards
- Factory Mutual System Approved for Classes I, II, III; Divisions 1 and 2; Groups A through G. Also, non-incendive ratings (No barriers!).

DESCRIPTION

The 60058 is a mid to high capacity nickel plated alloy steel, double ended shear beam load cell.

This product is designed for use in industrial and out door environments. Nickel plated steel construction limits corrosion from outdoor use. The IP67 sealing makes it suitable for applications that are subject to high-pressure wash down. Tank weighing is made simple when this load cell is combined with the EZ

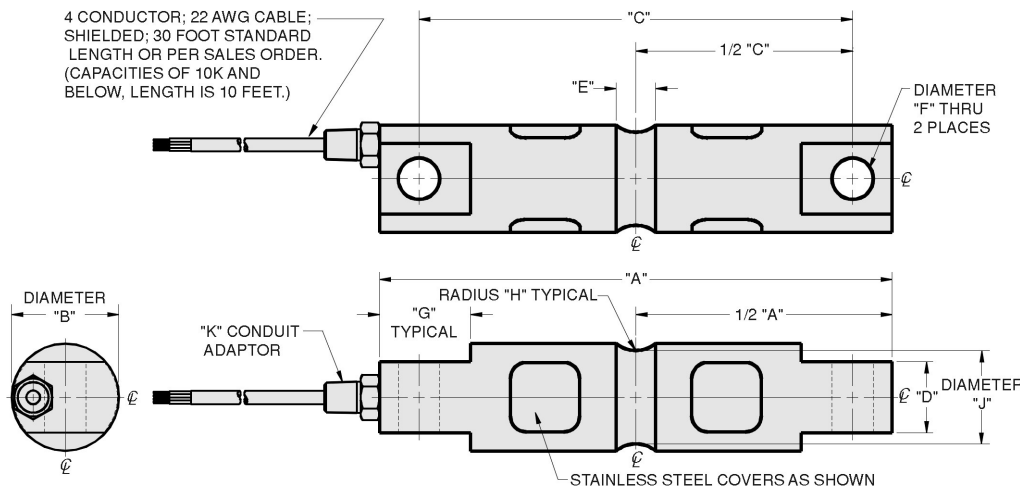
mount mounting hardware it was designed for. Its high accuracy and availability in high capacities make it ideal for certified truck and rail scales.

This load cell is rated intrinsically safe by the Factory Mutual System (FM); making it suitable for use in potentially explosive environments. This load cell is certified for Legal For Trade applications by the American NTEP standards.

APPLICATIONS

- Tank, bin and silo weighing
- Railroad track scales
- Truck scales

OUTLINE DIMENSIONS in inches [mm]



Wiring

- | | |
|--------------|-------|
| + Excitation | Red |
| - Excitation | Black |
| + Output | Green |
| - Output | White |

CAPACITY	A	B	C	D	E	F	G	H	J	K-THREAD
5K - 20K	8.12	1.70	6.88	1.13	0.63	0.65	1.44	0.50	1.48	1/4-18 NPT
30K - 60K	10.25	2.97	8.50	2.38	0.95	1.06	1.94	1.00	2.73	1/2-14 NPT
100K	11.25	3.50	9.50	2.50	1.25	1.06	1.88	1.50	3.24	1/2-14 NPT
[2.3 - 9t]	[206.2]	[43.2]	[174.8]	[28.7]	[16.0]	[16.5]	[36.6]	[12.7]	[37.6]	1/4-18 NPT
[13.6 - 27t]	[260.4]	[75.4]	[215.9]	[60.5]	[24.1]	[26.9]	[49.3]	[25.4]	[69.3]	1/2-14 NPT
[45t]	[285.8]	[88.9]	[241.3]	[63.5]	[31.8]	[26.9]	[47.8]	[38.1]	[82.3]	1/2-14 NPT

Capacities are in pounds [kg/t].

SPECIFICATIONS

PARAMETER	VALUE			UNIT
Rated capacity-R.C. (E_{max})	5K, 10K, 20K, 30K, 40K, 50K, 60K, 100K 2.3, 4.5, 9.0, 13.6, 18.0, 23.0, 27.0, 45.0			lbs tons
NTEP/OIML Accuracy class	NTEP III	NTEP IIII	Standard	
Maximum no. of intervals (n)	5000 multiple	10000 multiple		
$Y = E_{max}/V_{min}$	See NTEP cert. 97-042A1			Maximum available
Rated output-R.O.	3.0			mV/V
Rated output tolerance	0.25			±% mV/V
Zero balance	1.0			±% FSO
Combined error	0.02	0.02	0.03	±% FSO
Non-repeatability	0.01	0.01	0.01	±% FSO
Creep error (20 minutes)	0.030	0.030	0.03	±% FSO
Temperature effect on zero	0.0015	0.0010	0.0015	±% FSO/°F
Temperature effect on output	0.0008	0.0008	0.0008	±% of load/°F
Compensated temperature range	14 to 104 (-10 to 40)			°F (°C)
Operating temperature range	0 to 150 (-18 to 65)			°F (°C)
Storage temperature range	-60 to 185 (-50 to 85)			°F (°C)
Safe sideload	100			% of R.C.
Maximum safe central overload	150			% of R.C.
Ultimate central overload	300			% of R.C.
Excitation, recommended	10			Vdc or Vac rms
Excitation, maximum	15			Vdc or Vac rms
Input impedance	686 - 714			Ω
Output impedance	699 - 707			Ω
Insulation resistance at 50VDC	>1000			MΩ
Material	Nickel plated alloy tool steel			
Environmental protection	IP67			

FSO - Full Scale Output
R.C. - Rated Capacity

All specifications subject to change without notice.

Disclaimer

All product specifications and data are subject to change without notice.

Vishay Precision Group, Inc., its affiliates, agents, and employees, and all persons acting on its or their behalf (collectively, "Vishay Precision Group"), disclaim any and all liability for any errors, inaccuracies or incompleteness contained herein or in any other disclosure relating to any product.

Vishay Precision Group disclaims any and all liability arising out of the use or application of any product described herein or of any information provided herein to the maximum extent permitted by law. The product specifications do not expand or otherwise modify Vishay Precision Group's terms and conditions of purchase, including but not limited to the warranty expressed therein, which apply to these products.

No license, express or implied, by estoppel or otherwise, to any intellectual property rights is granted by this document or by any conduct of Vishay Precision Group.

The products shown herein are not designed for use in medical, life-saving, or life-sustaining applications unless otherwise expressly indicated. Customers using or selling Vishay Precision Group products not expressly indicated for use in such applications do so entirely at their own risk and agree to fully indemnify Vishay Precision Group for any damages arising or resulting from such use or sale. Please contact authorized Vishay Precision Group personnel to obtain written terms and conditions regarding products designed for such applications.

Product names and markings noted herein may be trademarks of their respective owners.