


Capacity	Accuracy	Part-Number
500 kg	C3	H8-C3-500kg-4B6
1 t	C3	H8-C3-1t-4B6
2 t	C3	H8-C3-2t-4B6
2.5 t	C3	H8-C3-2.5t-4B6
3 t	C3	H8-C3-3t-4B6
5 t	C3	H8-C3-5t-7B6
10 t	C3	H8-C3-10t-12B6
15 t	C3	H8-C3-15t-12B6
20 t	C3	H8-C3-20t-12B6
25 t	C3	H8-C3-25t-12B6
30 t	C3	H8-C3-30t-12B6
50 t	C3	H8-C3-50t-12B6





- Alloy steel IP67 shear beam load cell
- Nickel plated
- Suitable for truck-, track, hopper scales, etc.
- Suitable for hazardous locations

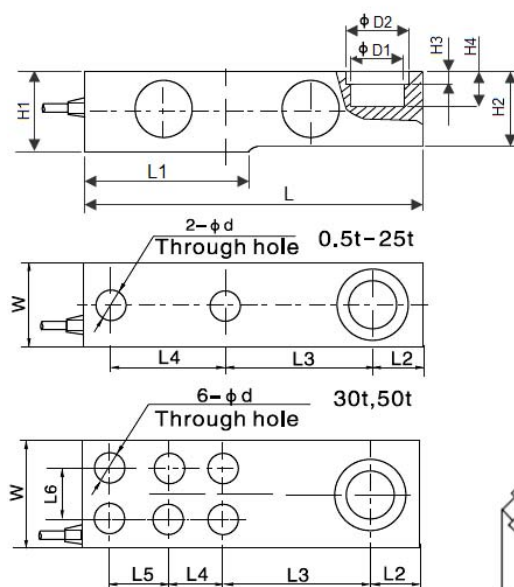


Specifications:

Accuracy class		C3	OIML R60 C3	OIML R60 C3
Output sensitivity (= FS)	mV/V		2.0 ± 0.002	
Maximum capacity (E _{max})	t	0.5 ¹ , 1 ¹ , 2 ¹ , 2.5 ¹ , 3 ¹	5, 10, 15, 20	25, 30, 50
Maximum number of load cell intervals (n _{LC})			3000	
Ratio of minimum LC verification interval Y = E _{max} / V _{min}			10000	15000
Combined Error	%FS		≤ ± 0.0200	
Minimum dead load	kg		0	
Safe overload	of E _{max}		150 %	
Ultimate overload	of E _{max}		300 %	
Zero balance	of FS		≤ ± 1.5 %	
Excitation, recommended voltage	V		5 ~ 12	
Excitation maximum	V		18	
Terminal resistance, input	Ω		350 ± 3.5	
Terminal resistance, output	Ω		351 ± 2	
Insulation impedance	MΩ		≥ 5000 (at 50VDC)	
Temperature range, compensated	°C		-10 ~ +40	
Temperature range, operating	°C		-35 ~ +65	
Element material			Alloy steel, nickel plated	
Ingress Protection (according to EN 60529)			IP67	
Recommended torque on fixation bolts	Nm	M12:100 M14:120 M20:250 M27: M33:800-1000		
ATEX classification (optional)		I1G Ex ia I1C T4 I1D Ex iaD 20 T73°C I1G nL IIC T4		

Note 1: OIML approval pending

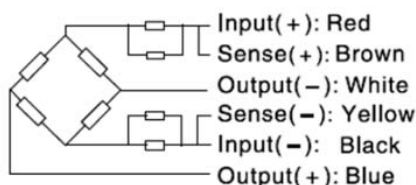
Outline Dimensions in mm



Cap.	H1	H2	H3	H4	φD1	φD2	φd	W	L	L1	L2	L3	L4	L5	L6
1t-2t	43	37	12.5	30	16	32	13	37	203	95	22	98	64		
2.5t	43	37	12.5	30	16	32	15	37	203	95	22	98	64		
3t	43	37	12.5	25	16	32	15	37	203	95	22	98	64		
5t	52	48	12.5	30	22	38	21	48	235	110	22	124	66		
10t	67	60	8.5	20	32	48	28	60	279	133	32	140	82		
15t	67	60	8.5	20	32	54	28	60	279	133	32	140	82		
20t, 25t	82.5	70	10	24	38	54	34	70	318	153	38	159	89		
30t	115	90	14	32	38	54	26	96	374	189	44.5	181	76	51	46

Wiring:

- Shielded, 6 conductor cable: Ø6.2mm.
- Cable type and length for customer's own application are available on request.
- Shield is not connected to element.



Recommended accessory HY-8-101				
Capacity	φD	H	H1	
0.5t-3t	35	44.9	24.9	
5t	42	56.7	34.7	
10t-15t	57	80.7	66.7	
20t-25t	70	85	67	
30t	70	91	70	
50t	85	102	82	

Please visit our website WWW.ZEMIC.NL for the most actual information.

Nr. 2011.11 H8 Rev3