

Capacity	Accuracy	Part-Number
0.5 t	C3 ²	BM14C-C3-0,5t-15B(-SC)
1 t	C3 ²	BM14C-C3-1t-15B(-SC)
2 t	C3 ²	BM14C-C3-2t-15B(-SC)
3 t	C3 ²	BM14C-C3-3t-15B(-SC)
5 t	C3 ²	BM14C-C3-5t-15B(-SC)
10 t	C3 & C4	BM14C-Cx-10t-15B(-SC)
20 t	C3 & C4	BM14C-Cx-20t-15B(-SC)
25 t	C3 & C4	BM14C-Cx-25t-15B(-SC)
30 t	C3 & C4	BM14C-Cx-30t-xxB ¹ (-SC)
40 t	C3 & C4	BM14C-Cx-40t-xxB ¹ (-SC)
50 t	C3 & C4	BM14C-Cx-50t-xxB ¹ (-SC)



- Stainless steel IP68 compression load cell
- Protection against lightning surge arrestors
- Suitable for vehicle and hopper scales and vehicle testing facilities
- Hermetically closed
- High accuracy

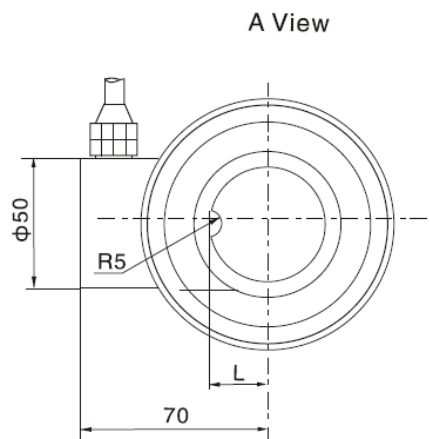
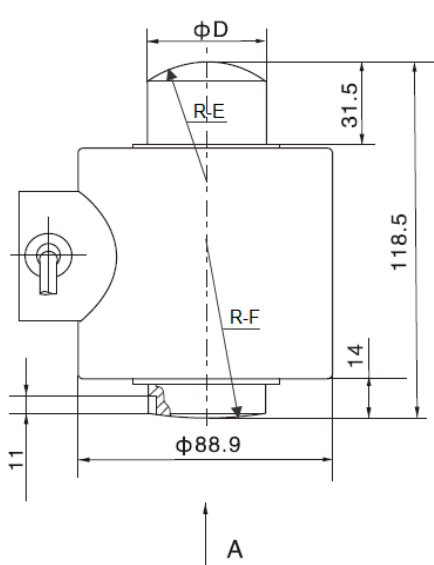


Specification:

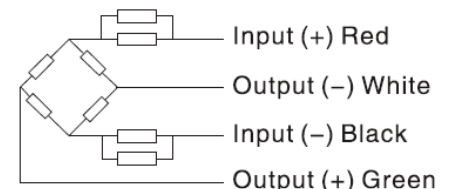
Accuracy class		C3	OIML R60 C3	OIML R60 C4
Output sensitivity (= FS)	mV/V		2.0 ± 0.02	
Maximum capacity (E _{max})	t	0,5, 1, 2, 3, 5	10, 20, 25, 30, 40, 50	
Maximum number of load cell intervals (n _{LC})		3000		4000
Ratio of minimum LC verification interval Y = E _{max} / v _{min}		10000		15000
Combined Error	%FS	≤ ± 0.023		≤ ± 0.0174
Minimum dead load	t	0		
Safe overload	of E _{max}	150 %		
Ultimate overload	of E _{max}	300 %		
Zero balance	of FS	≤ ± 1.0 %		
Excitation, recommended voltage	V	5 ~ 12		
Excitation maximum	V	18		
Terminal resistance, input	Ω	700 ± 7		
Terminal resistance, output	Ω	703 ± 4		
Insulation impedance	MΩ	≥ 5000 (at 50VDC)		
Temperature range, compensated	°C	-10 ~ +40		
Temperature range, operating	°C	-35 ~ +65		
Element material		Stainless steel		
Ingress Protection (according to EN 60529)		IP68		
ATEX classification (optional)		II1G Ex ia II1C T4	II1D Ex iaD 20 T73°C	II3G nL IIC T4

Note 1: C3 cable length is 15 meter; C4 for 30t and above cable length is 18 meter. Note 2: Not OIML approved

Outline Dimensions in mm



Capacity	0.5t ~ 30t	40t,50t
Dimension		
Ø D	40	50
L	22	27
R-E	37.5	200
R-F	150	200



Wiring:

- Shielded, 4 conductor cable, 5mm diameter.
- Standard cable length is 15m.
- Different cable type and cable length is available on customer request.
- Shield is not connected to element.