



C16M...

Weighing module
for 20 t ... 400 t

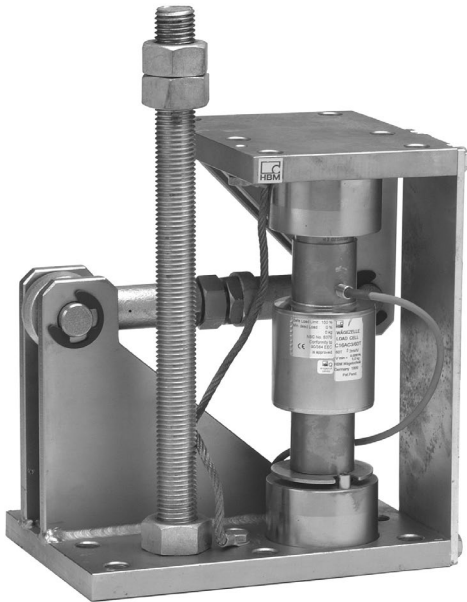
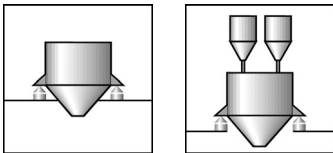


Fig. with accessories kit 1-ZAC16/MSL60T

Special features

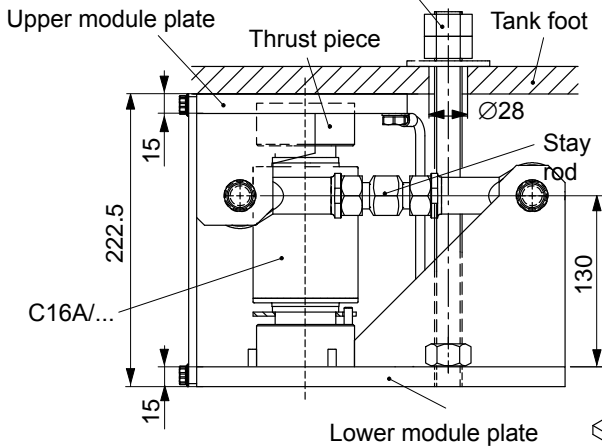
- Equipped with a self-restoring C16 pendulum load cell of class D1, C3 or C4 according to OIML R60
- Stay rod for taking up horizontal forces
- Can be fitted with an anti-liftoff device (see Accessories)
- Maintenance-free
- Minimal construction height for space-saving installation
- Easy mounting
- Two versions available:
 - Galvanized
 - Stainless steel
- Certified by the Technical Inspection Agency (TÜV) under DIN 18800



Dimensions (in mm; 1 mm = 0.03937 inches)

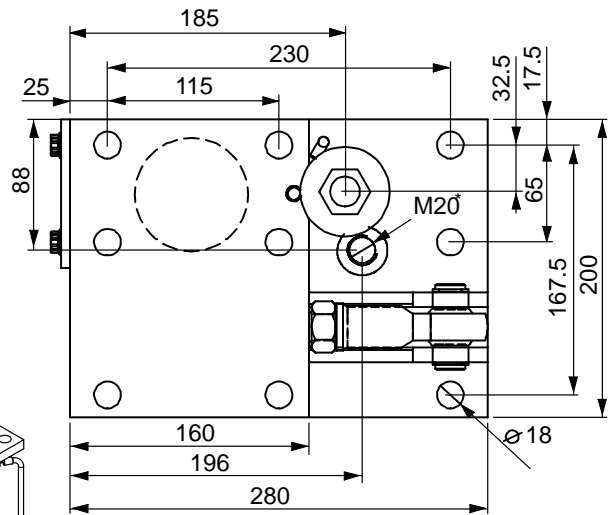
C16/M1LB20 t ... 40 t

Accessories kit
1-ZAC16/MSL(R)40T



Shown without anti-liftoff device

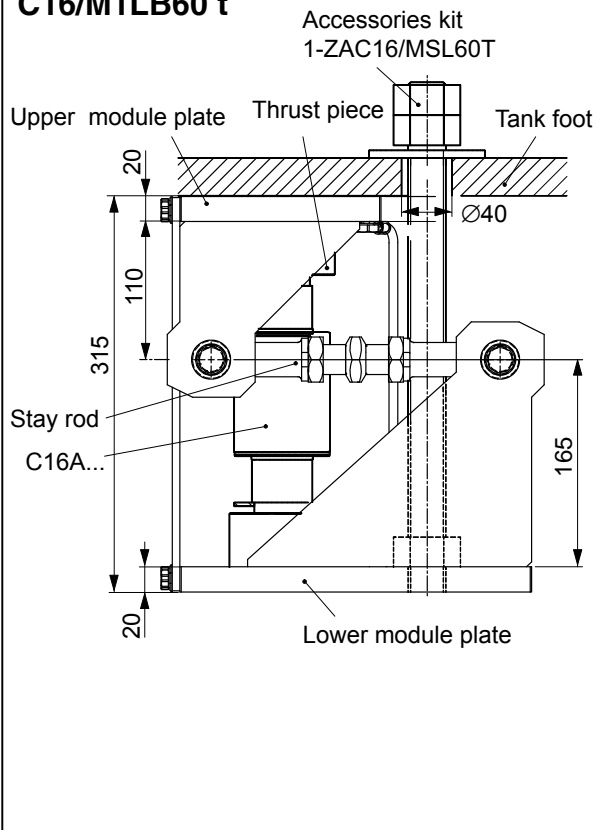
View from above,
shown without tank foot



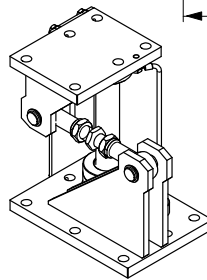
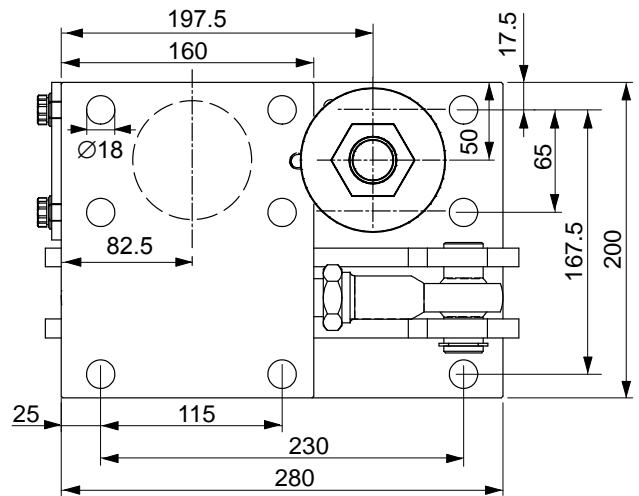
* Thread for optional mounting of the anti-liftoff device (accessory)

Dimensions (in mm; 1 mm = 0.03937 inches)

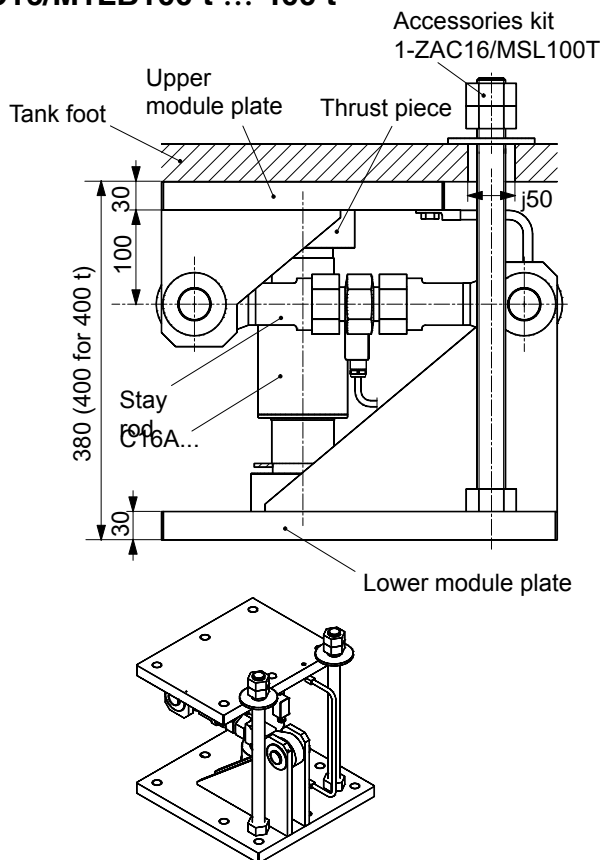
C16/M1LB60 t



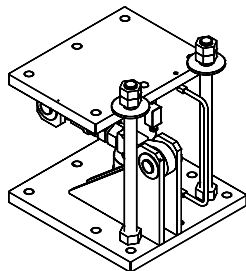
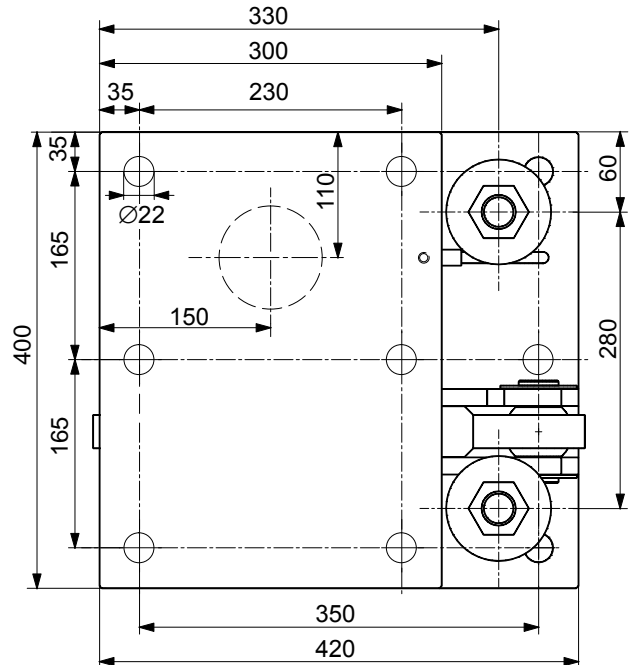
View from above,
shown without tank foot



C16/M1LB100 t ... 400 t



View from above,
shown without tank foot



Specifications of the C16M... weighing module

Maximum capacity		20 t	30 t	40 t	60 t	100 t	200 t	400 t
Limit load	% of maximum capacity	150						
Restoring force (at 1 mm lateral displacement transverse to the stay rod direction)	% of applied load	0.49	0.76	0.94	0.52	0.48	0.81	1.31
Max. permissible lateral displacement transverse to the stay rod axis	mm	± 4.0			± 5.0			
Max. permissible horizontal force in the stay rod direction	kN	50		100		150		
Max. permissible liftoff force (when using an anti-liftoff device ¹⁾)	kN	80		120		240		
Material		Galvanized or stainless steel ²⁾						
Weight, approx. (version-dependent, including load cell)	kg	20		55		105	107	134

¹⁾ The anti-liftoff device, e.g. a threaded rod (see Accessories), can be screwed into the threaded hole provided.

²⁾ As per EN 10088-1.

For more information on the corresponding load cells, see the C16A... data sheet

Product numbers for the C16/M1LB modules (including the C16A... load cell), preferred types

Type	C16/M1LB
Material	Galvanized
Accuracy class	D1 (OIML)
Maximum capacity	Order no.
20 t	1-C16/M1LB20T
30 t	1-C16/M1LB30T
40 t	1-C16/M1LB40T
60 t	1-C16/M1LB60T
100 t	1-C16/M1LB100T
200 t	1-C16/M1LB200T
400 t	1-C16/M1LB400T

Product number for the C16 modules (including the C16A... load cell), optional versions

Order no.
K-C16M

Code	Option 1: Material
V	C16/MSL (galvanized)
R	C16/MSLR (stainless) [only with option 3 = 20 / 30 / 40]

Code	Option 2: Accuracy class
D1	D1 (OIML) [only with option 3 = 20 / 30 / 40 / 60 / 100 / 200 / 400]
C3	C3 (OIML) [only with option 3 = 20 / 30 / 40 / 60 / 100]
C4	C4 (OIML) [only with option 3 = 30 / 40 / 60]

Code	Option 3: Maximum capacity
20	20 t [only with option 2 = D1 / C3]
30	30 t [only with option 2 = D1 / C3 / C4]
40	40 t [only with option 2 = D1 / C3 / C4]
60	60 t [only with option 2 = D1 / C3 / C4]
100	100 t [only with option 2 = D1 / C3]
200	200 t [only with option 2 = D1]
400	400 t [only with option 2 = D1 and option 4 = N]

Code	Option 4: Explosion protection
N	no ATEX
1	ATEX Zone 1 + 21 [only with option 6 = N]
2	ATEX Zone 2 + 22 (non-cond. dust)[only with option 6 = N]
21D	ATEX II G EExd [only with option 6 = N]



Code	Option 5: Cable length
S12	12 m (standard) [only with option 3 = 20 / 30]
S20	20 m (standard) [only with option 3 = 40 / 60 / 100 / 200 / 400]
20	20 m [only with option 3 = 20 / 30]
40	40 m
20M	20 m with metal braiding

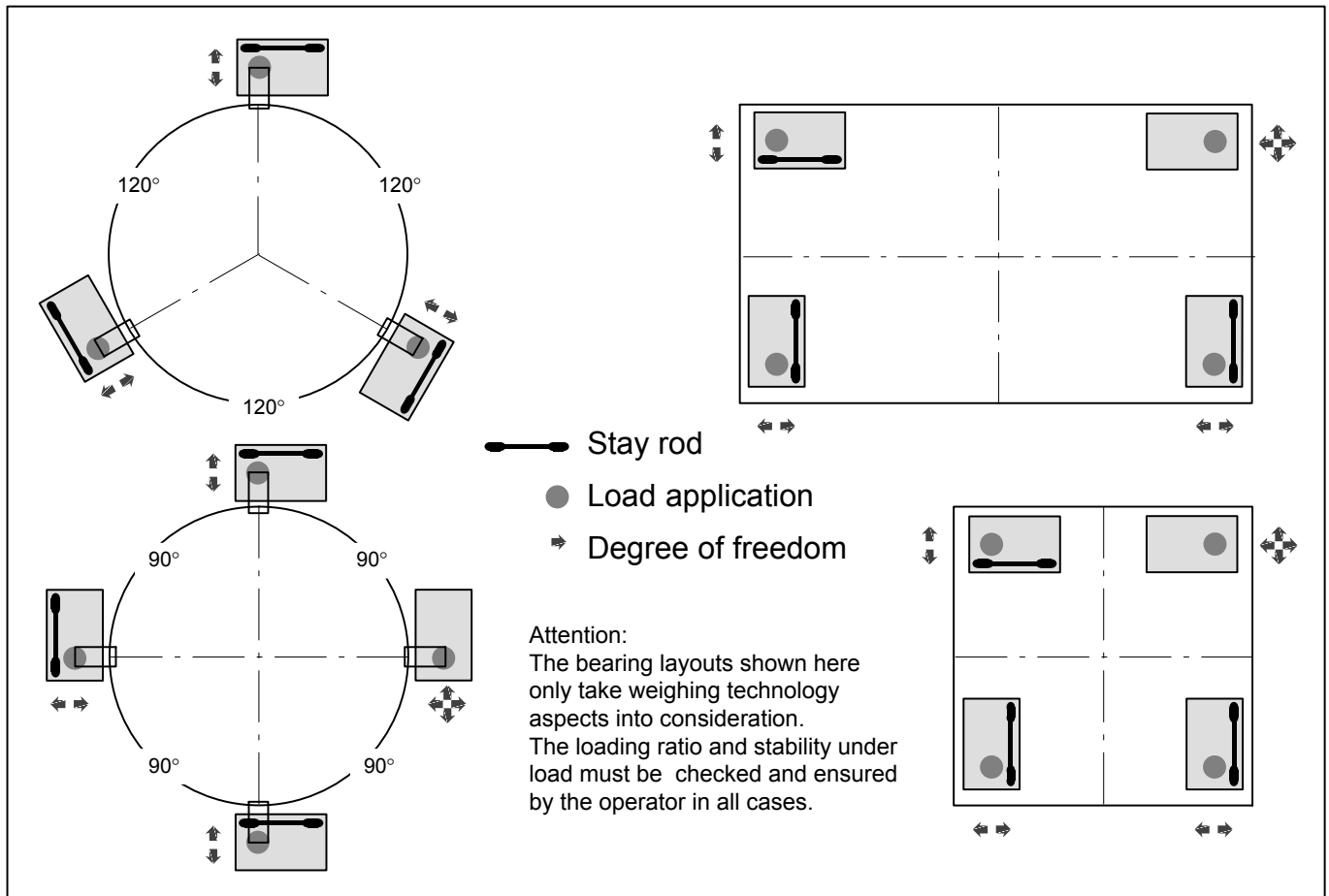
Code	Option 6: Other
N	without
L	with overvoltage protection [only with option 4 = N]
i	with C16i load cell (digital load cell) [only with option 2 = C3, option 3 = 20 / 30 / 40 / 60, option 4 = N]

K-C16M - **V** - **C3** - **100** - **N** - **S20** - **N**

Scope of supply:

Fully-assembled weighing module with stay rod, thrust pieces, ground cable and C16A load cell

Installation examples for weighing modules with stay rods:



Accessories (to be ordered separately) each for **two** weighing modules (see dimensions):

1-ZAC16/MSL40T, for C16/MSL20 t ... 40 t, comprising:

- 1 threaded rod M20x1000¹⁾, **galvanized**
- 6 hexagon nuts M20 DIN 934, galvanized
- 2 washers DIN 9021, Ø21 mm, galvanized

1-ZAC16/MSLR40T, for C16/MSLR20 t ... 40 t, comprising:

- 1 threaded rod M20x1000¹⁾, **stainless**
- 6 hexagon nuts M20 DIN 934, stainless
- 2 washers DIN 9021, Ø21 mm, stainless

1-ZAC16/MSL60T, for C16/MSL60 t, comprising:

- 1 threaded rod M30x1000¹⁾, **galvanized**
- 6 hexagon nuts M30 DIN 934, galvanized
- 2 washers DIN 9021, Ø31 mm, galvanized

1-ZAC16/MSL100T, for C16/MSL100 t ... 400 t, comprising:

- 4 threaded rods M30x1000¹⁾, **galvanized**
- 12 hexagon nuts M30 DIN 934, galvanized
- 4 washers DIN 9021, Ø31 mm, galvanized

¹⁾ The customer must adapt the threaded rods to the particular installation situation.

Further accessories:



C16 fixed bearing with same installation height as the module. Further information can be found in a separate data sheet.

Subject to modifications.
All product descriptions are for general information only. They are not to be understood as a guarantee of quality or durability.

Hottinger Baldwin Messtechnik GmbH

Im Tiefen See 45 · 64293 Darmstadt · Germany
Tel. +49 6151 803-0 · Fax: +49 6151 803-9100
Email: info@hbm.com · www.hbm.com

measure and predict with confidence

