

PW10A...

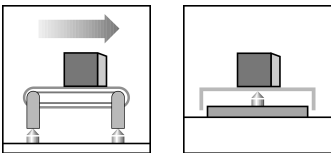
Single point load cells

Special features

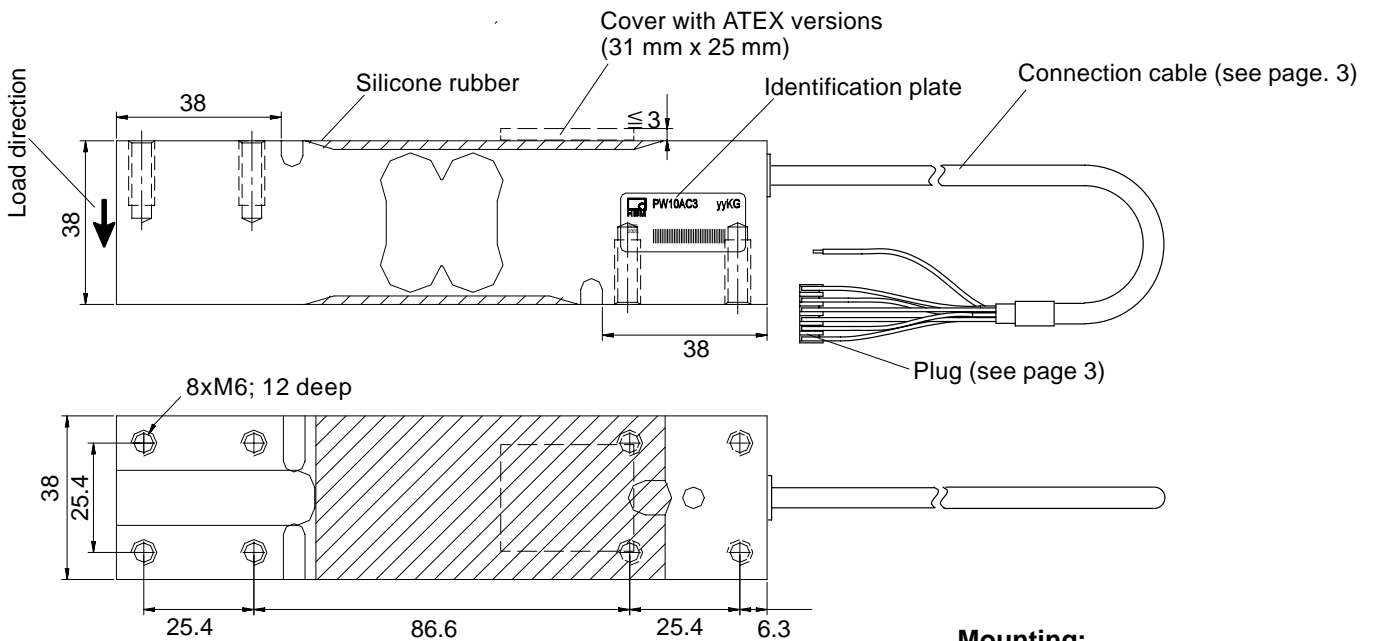
- OIML-R60 approval
- Max. capacities: 50 kg ... 300 kg
- Off center load compensated (OIML R76)
- Meets EMC standards (EN 45 501)
- Shielded connection cable
- 6-wire circuit

Optional:

- Reduced minimum LC verification interval (v_{min}) for multi range applications
- Explosion proof versions
- different cable lengths
- Aligned output, suitable for connection in parallel



Dimensions (in mm; 1 mm = 0.03937 inches)



Mounting:

Socket head cap screws M6-10.9
Tightening torque: 14 N·m

Specifications

Type	PW10A...						
Accuracy class ¹⁾	C3, C3MR						
Number of load cell intervals (n _{LC})	3000						
Maximum capacity (E _{max})	kg	50	100	150	200	250	300
Minimum LC verification interval (v _{min}), (Accuracy class C3)	g	10	20	20	50	50	50
Temperature effect on zero balance (TK ₀), (Accuracy class C3)	% of C _n / 10 K	±0.0280	±0.0280	±0.0186	±0.0350	±0.0280	±0.0233
Minimum LC verification interval (v _{min}), (Accuracy class C3MR)	g	5	10	10	20	20	20
Temperature effect on zero balance (TK ₀), (Accuracy class C3MR)	% of C _n / 10 K	±0.0140	±0.0140	±0.0093	±0.0140	±0.0112	±0.0093
Max. platform size	mm	600 x 500					
Sensitivity (C _n) ²⁾	mV/V	2.0 ± 0.2 (Option 6: A = 2 mV/V ± 0.1 %)					
Zero balance		0 ± 0.1					
Temperature effect on sensitivity (TK _C) ³⁾ Temperature range: +20 ... +40 °C [+70 ... +105 °F] -10 ... +20 °C [+15 ... +70 °F]	% of C _n / 10 K	±0.0175 ±0.0117					
Hysteresis error (d _{hy}) ³⁾	% of C _n	±0.0166					
Non-linearity (d _{lin}) ³⁾		±0.0166					
Minimum dead load output return (DR)		±0.0166					
Off center load error ⁴⁾		±0.0233					
Input resistance (R _{LC})	Ω	300 ... 500					
Output resistance (R ₀)		330 ... 430 (Option 6: A = 410 Ω ± 0.2 Ω)					
Reference excitation voltage (U _{ref})	V	5					
Nominal range of excitation voltage (B _U)		0 ... 12					
Max. excitation voltage		15					
Insulation resistance (R _{is}) at 100 V _{DC}		> 2					
Nominal temperature range (B _T)	°C [°F]	-10 ... +40 [+14 ... +104]					
Service temperature range (B _{tu})		-10 ... +50 [+14 ... +122]					
Storage temperature range (B _l)		-25 ... +70 [-13 ... +158]					
Safe load limit (E _L) at max. eccentricity	% of E _{max} mm	150 150					
Lateral load limit (E _{lq}), static	%	300					
Breaking load (E _d)	of E _{max}	300					
Deflection at E _{max} (s _{nom}), approx.		<0,5					
Weight (G), approx.		0,6					
Protection class accord. to EN 60 529 (IEC 529)		IP67					
Material: Measuring element Coating Cable sheath		Aluminum Silicone rubber PVC					

1) In accordance to OIML-R60 with P_{LC} = 0.7

2) Max. eccentric load according to OIML R76

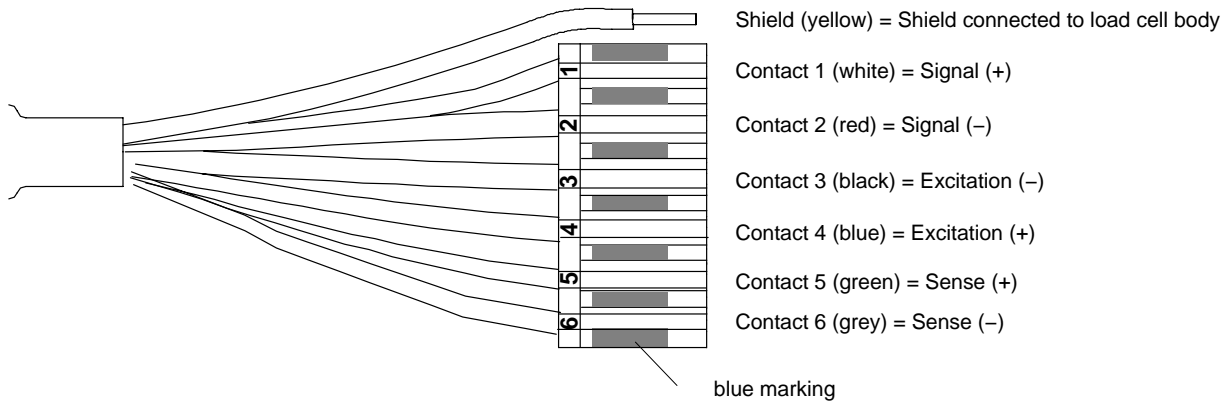
3) The sum of data for Non-linearity, Hysteresis error and TC Span meets the requirements of OIML R60.

4) Eccentric error according to OIML R76 class.

Wiring code

Connection with 6 wire cable (selectable cable length: 1.5 m; 3 m; 6 m, 12 m)

Detailed description of the Pancon plug (CE100F26-6), 6-pole





Ordering codes

PW10A... (Aluminum)

Type	PW10A	
Accuracy	C3 (OIML)	
Note	Cable length 3m (6 wire)	
Capacity	Order no.	
50kg	1-PW10AC3/50KG-1	
100kg	1-PW10AC3/100KG-1	
150kg	1-PW10AC3/150KG-1	
200kg	1-PW10AC3/200KG-1	
250kg	1-PW10AC3/250KG-1	
300kg	1-PW10AC3/300KG-1	

K-PW10A-... (Aluminum), optional versions [!!!]

Order no.		
K-PW10A		
Code	Option 1: Mechanical version	
N	-	
Code	Option 2: Accuracy	
C3	C3 (OIML)	
MR	C3-MR (OIML)	
Code	Option 3: Capacity	
50	50kg	
100	100kg	
150	150kg	
200	200kg	
250	250kg	
300	300kg	
Code	Option 4: Ex protection	
N	non Ex	
1+21	ATEX Zone 1 + 21 [only with Option 6 = N]	
2+22	ATEX Zone 2 + 22 (non-conductive dust) [only with Option 6 = N]	
Code	Option 5: Cable length	
1.5	1.5m	
3	3m	
6	6m	
12	12m	
Code	Option 6: Miscellaneous	
N	without	
A	2mV/V ±0.1% / 359 Ohms ±0.3 Ohms [only with Option 4 = N] (aligned output, suitable for connection in parallel)	
K-PW10A - [N] - [] - [] - [] - [] - [] - []		

[!!!]: Not all codes can be combined with each other. Please take heed of the terms in the square brackets!



measurement with confidence