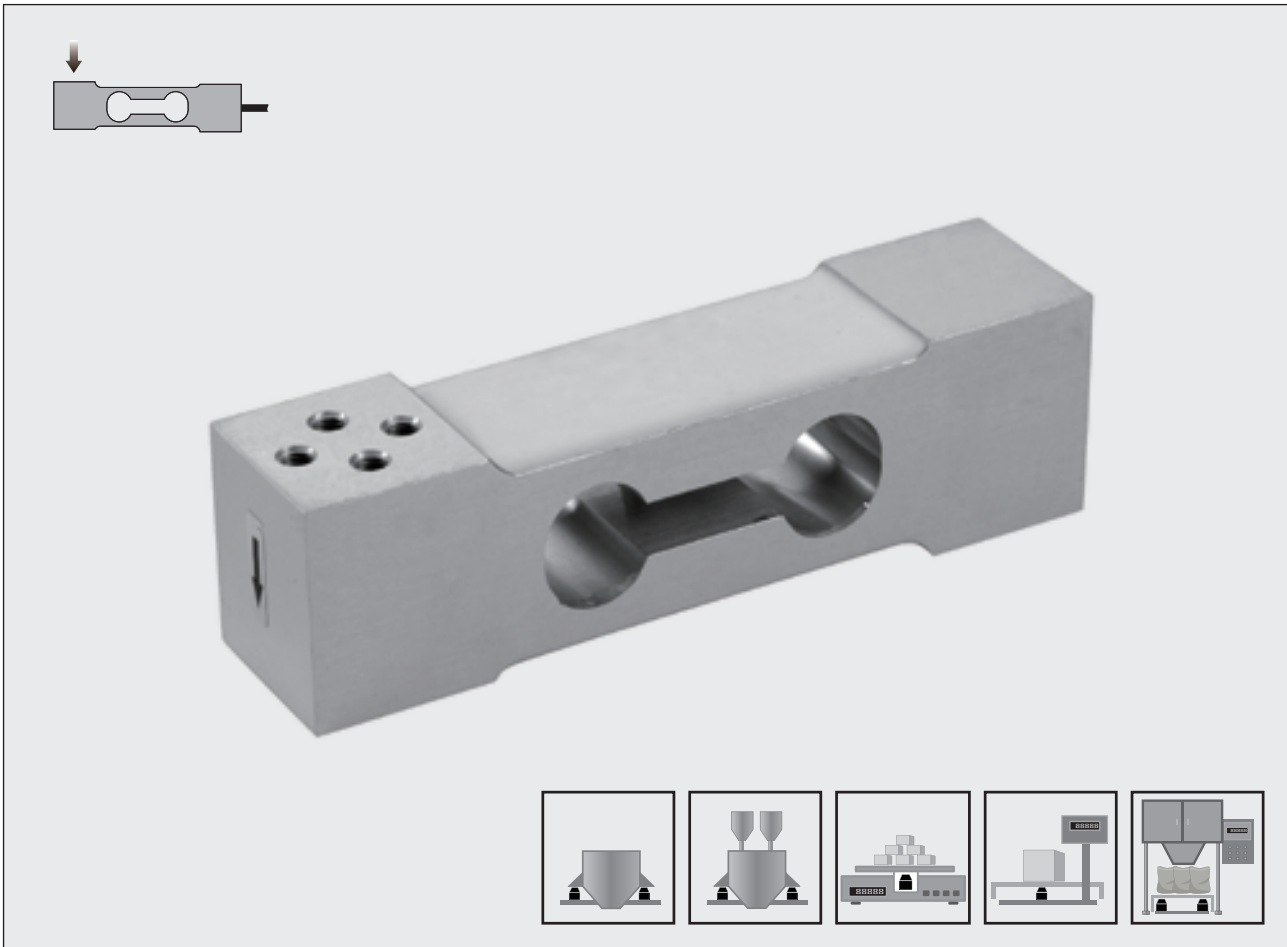


Type FAS A4 Load Cell

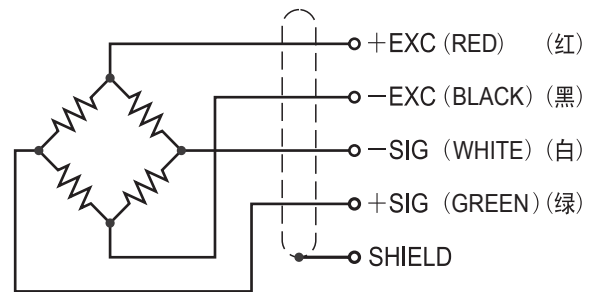


Features 主要特点

- Single point load cell
- Senior aluminum
- High accuracy
- High stability
- Easy to install
- Suitable for retail and postal weighing, package weighing systems, parts counting and small hopper scales, bench scales, etc.
- 单点式
- 优质铝合金材质
- 高精度
- 高稳定性
- 安装简便、快速
- 适用于邮资秤、包装秤、小型料斗秤、台秤等

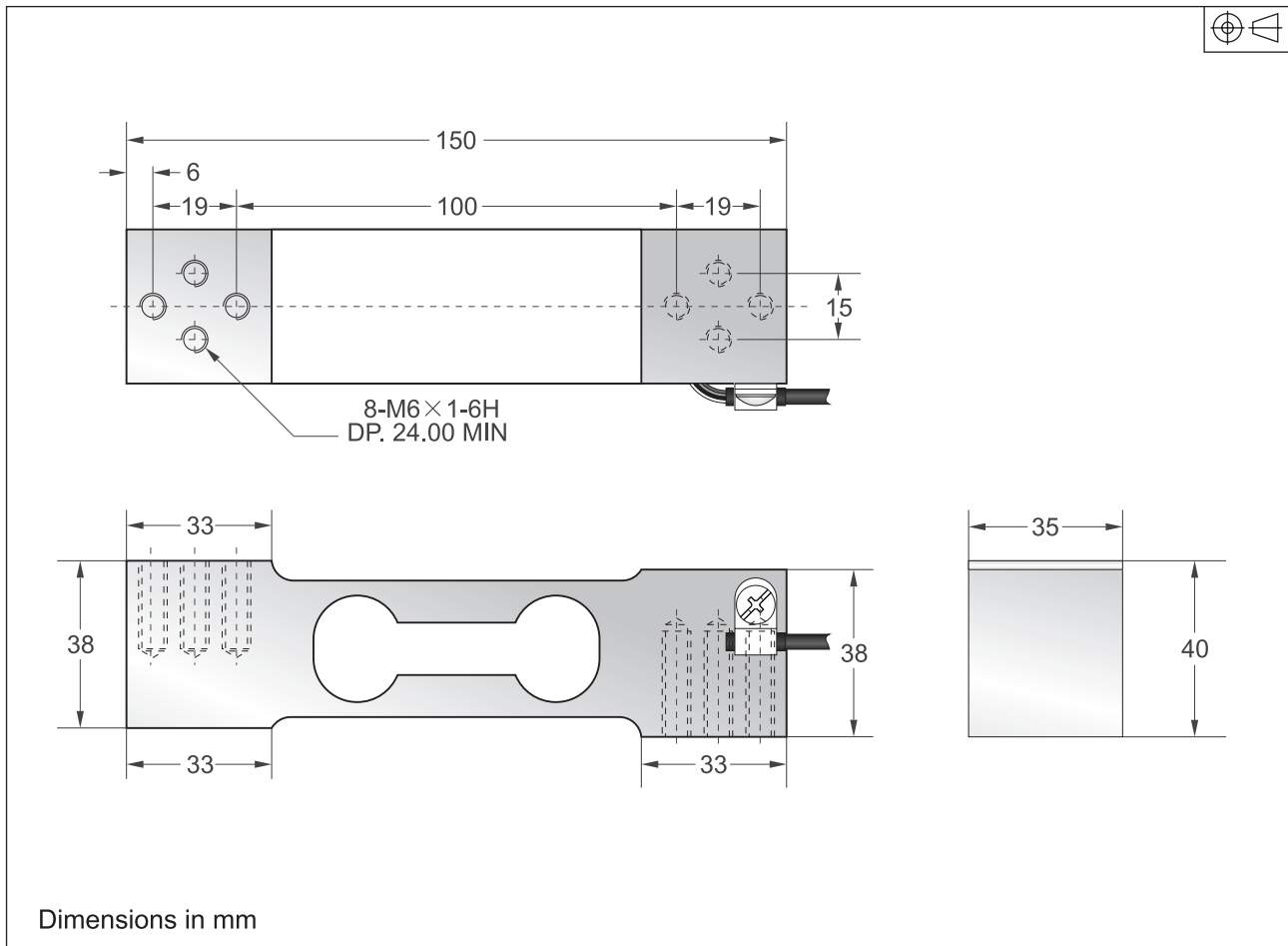
Schematic 接线方式

- | | | | |
|---------|----------|------|------|
| Red : | + input | 红色 : | + 激励 |
| Black : | - input | 黑色 : | - 激励 |
| Green : | + output | 绿色 : | + 信号 |
| White : | - output | 白色 : | - 信号 |



Capacities 量程

100kg, 150kg, 200kg, 250kg, 300kg

Dimensions 尺寸

Specification 技术参数

Rated Output	额定输出	2.0mV/V \pm 10%
Zero Balance	零点平衡	\pm 3% of rated output
Creep after 30 minutes	蠕变	\pm 0.03% of rated output
Nonlinearity	非线性	\pm 0.03% of rated output
Hysteresis	滞后	\pm 0.03% of rated output
Repeatability	重复性	\pm 0.03% of rated output
Temp. effect on output	灵敏度温漂	\leq 0.002% of applied output/ $^{\circ}$ C
Temp. effect on zero	零点温漂	\leq 0.002% of rated output/ $^{\circ}$ C
Safe Temp. Range	可用温度范围	-10 $^{\circ}$ C to + 70 $^{\circ}$ C
Temp. Compensated	温度补偿范围	-10 $^{\circ}$ C to + 40 $^{\circ}$ C
Safe Overload	安全载荷	150%
Input Impedance	输入阻抗	410 ohm \pm 20 ohm
Output Impedance	输出阻抗	350 ohm \pm 5 ohm
Insulation Resistance	绝缘阻抗	\geq 5000 M ohm (50V DC)
Rated Excitation	推荐激励电压	10V DC/AC
Maximum Excitation	最大激励电压	15V DC/AC
Cable Length	导线长度	2.75m
Cable Color Code	导线颜色	Red(+ E) Black(- E) Green(+ S) White(- S)