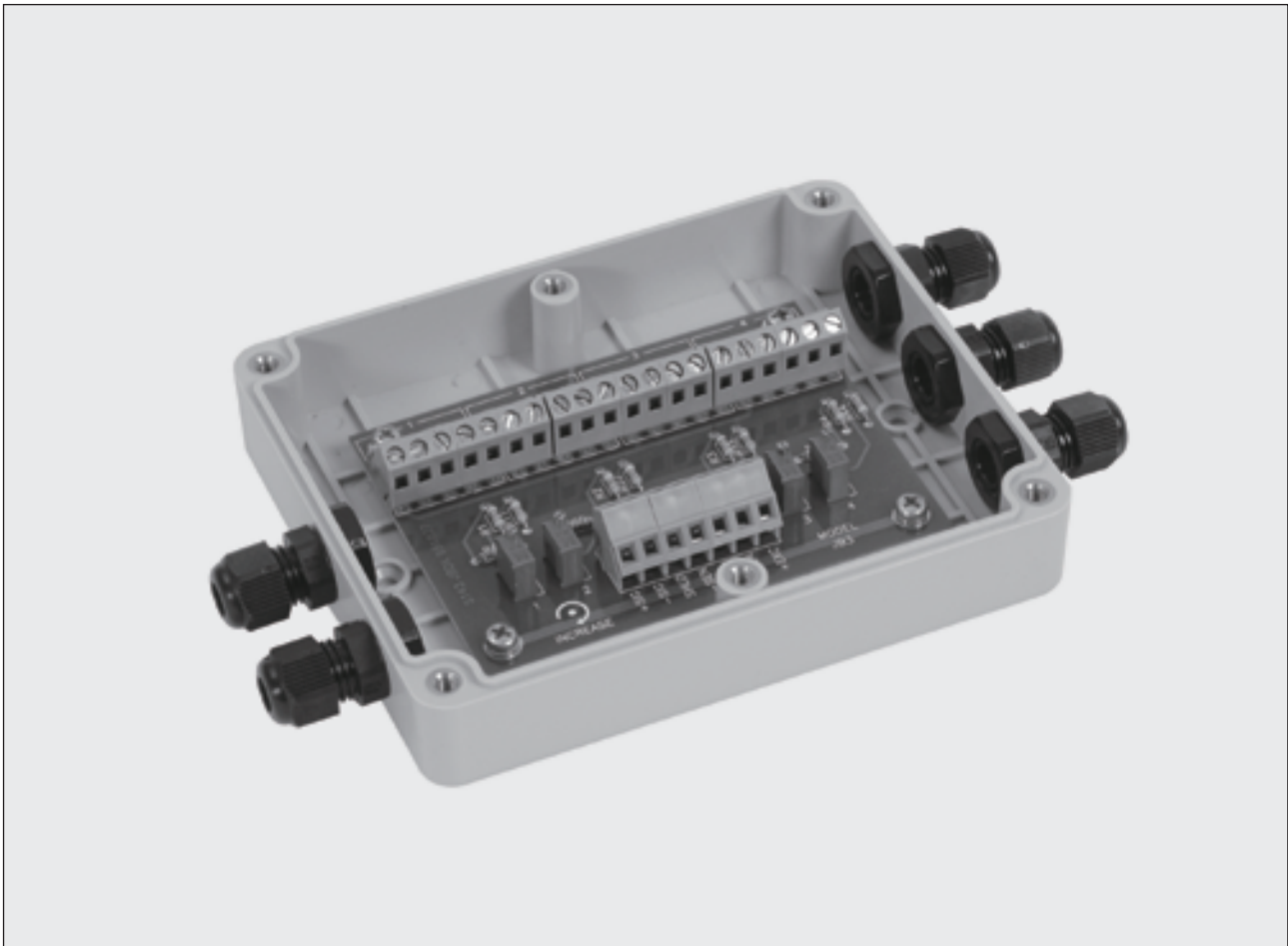


## J-BOX Junction Box



### Description 产品描述

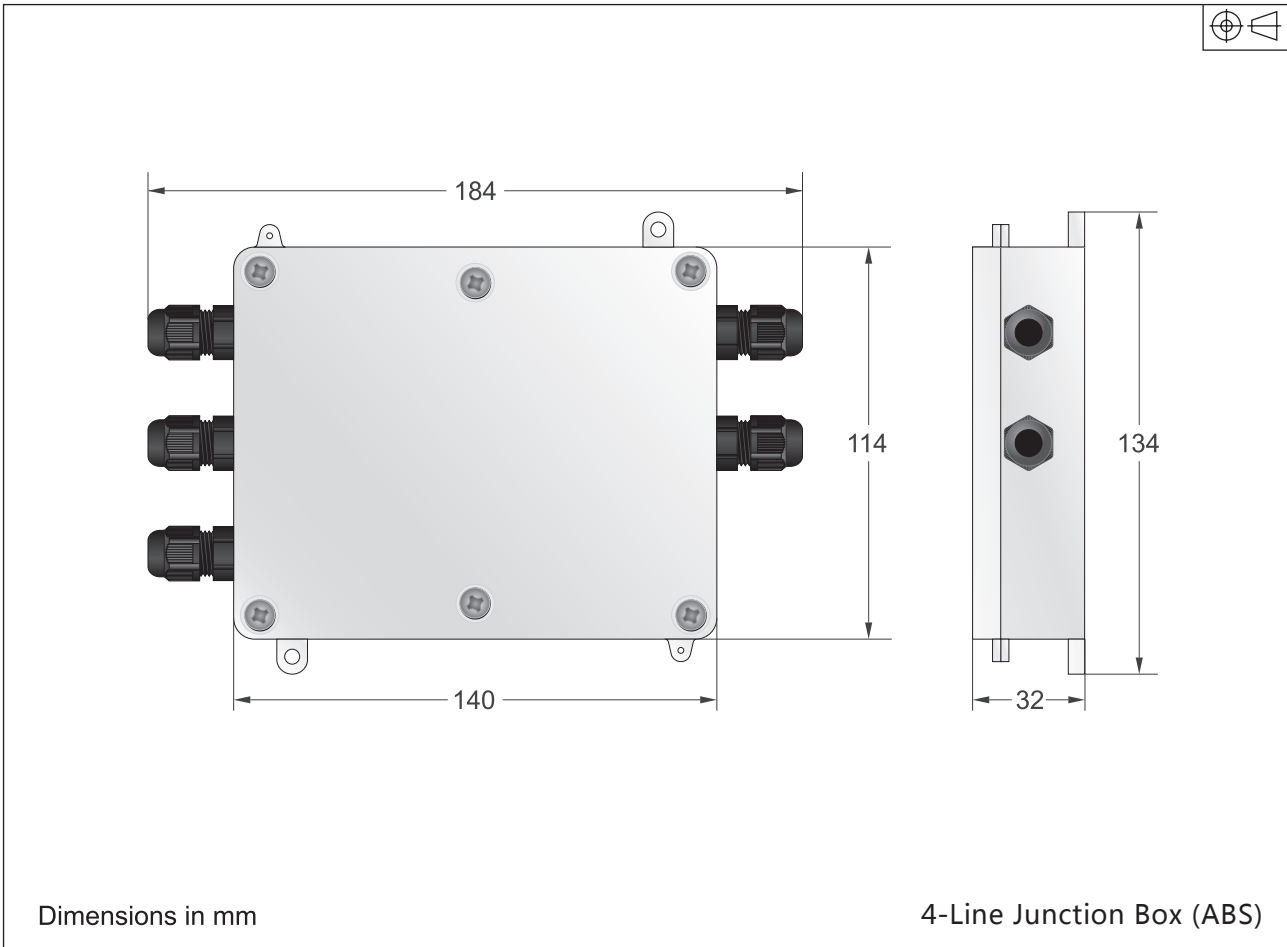
There are two types of JB-F1 load cell junction box, ABS plastics shell and stainless shell. There are 4 five-line input ports, and 1seven-line output ports signal in the box , and 2-4 load-cells may be linked. In the same time, the former 4-line wiring box can be improved to 8-line wiring box, only if 1 circuit board be added in it. The output port signal of wiring box is the Integrated signal of all load cells linked.

JB-F1 传感器接线盒有ABS塑料外壳和不锈钢外壳两种形式。盒内有4个5线制的传感器接入端, 1个7线的信号输出端。可以接驳2至4个传感器不等。同时在接线盒内增加一块线路板, 可以将原来的4路接线盒扩展至8路接线盒。接线盒的输出信号为所有接入传感器的集成信号。

### Option 可供选择

- Stainless Steel /ABS Plastics
- 4-line wiring / 6-line wiring /8-line wiring
- 不锈钢/ABS材质
- 4线接线盒/6线接线盒/8线接线盒

**Dimensions** 尺寸



**Schematic** 接线方式

